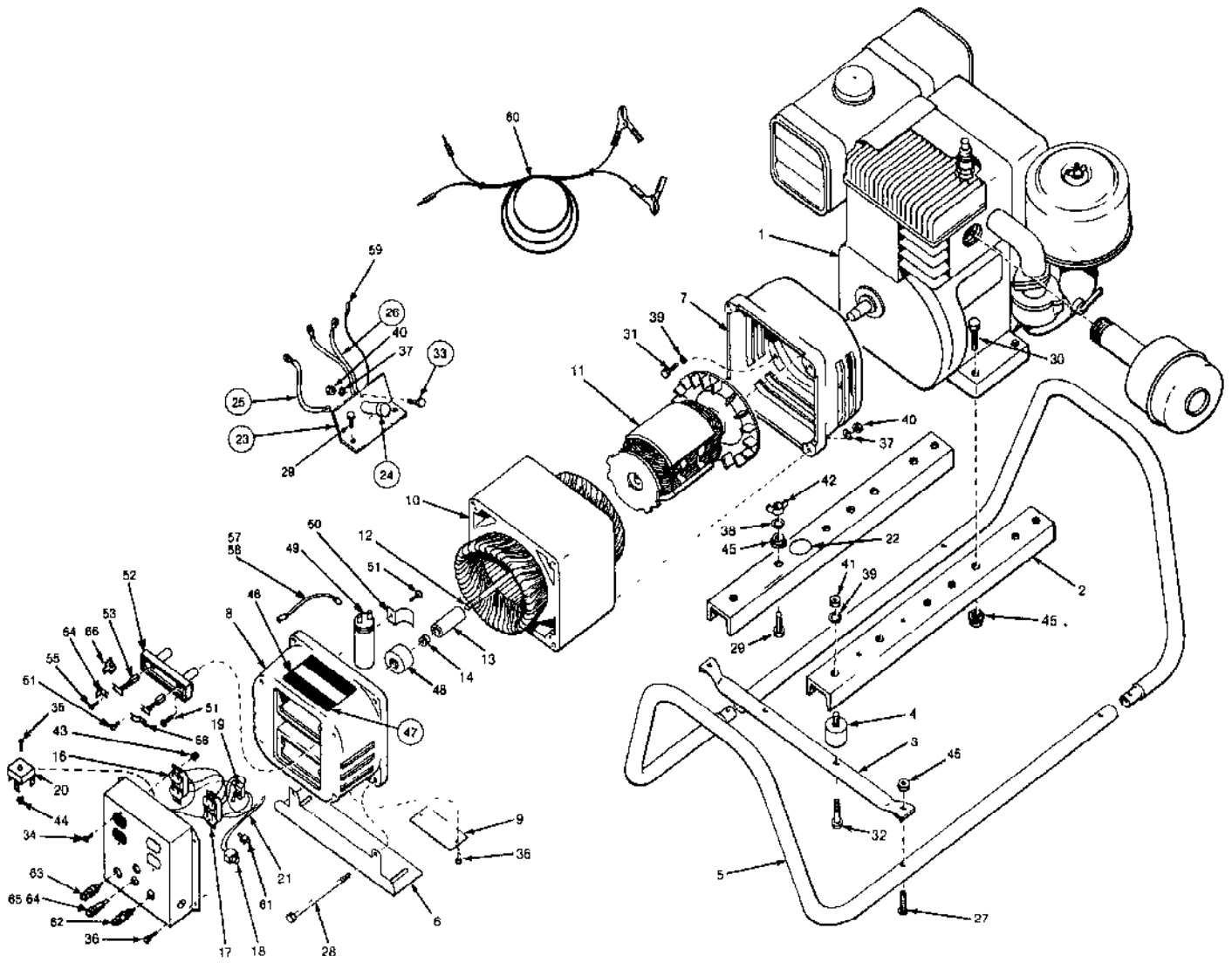


No  
Diagram  
Available  
  
Parts List  
Only

Ref #	Part Number	Qty	Description
	210005		HP 5000 Natural Gas Conversion Kit
	210005		HP 5000 ES Natural Gas Conversion Kit



Ref #	Part Number	Qty	Description
1	210171	1	Engine - 10 H.P
2	210011	2	Channel - Engine Mounting
3	210090	2	Cross Member
4	210021	4	Isolator, Vibration
5	210089	2	Cradle Half
6	210022	1	Bracket - Generator Mounting
7	210176	1	Generator Adapter Assembly
8	210178	1	End Bell Assembly
9	210034	1	Cover
10	210177	1	Stator Assembly - Wound
11	210102	1	Rotor Assembly - Wound
12	210055	1	Stud
13	210095	1	Sleeve - Gen. Shaft
14	210091	1	Nut - Internal Wrenching
15	210557	1	Faceplate - Silkscreened
16	21628	1	Receptacle, Duplex
17	21622	1	Receptacle, Duplex
18	210019	2	Circuit Breaker
19	21971	1	Switch, DPDT
20	210048	1	Bridge Rectifier
21	210555	1	Wire Kit
22	21997	1	Label - Ground
23	210293	1	Starter Switch Bracket
23			HHCS. Alum Adapt. to Engine Torque Value 190 - 215 in.lbs
24	21948	1	Starter Switch
24			HHCS. Corner Stud Torque Value 55 - 65 in.lbs
25	21909	1	Battery Cable
26	210269	1	Starter Cable
27	210083	4	Curved Head Bolt 5/16-18 x 1-1/2 Lg
27			Screw. Thd. Forming, Bx. & Cover Pl. Torque Value 30 - 35 in.lbs
28	210046	4	Screw, Hex Head Cap 1/4-20 x 6-1/2
28			Wrench Nut & Stud. Rotor Torque Value 120 - 180 in.lbs
29	21647	3	Screw, Hex Head Cap 5/16-18 x 1
30	22159	4	Screw, Hex Head Cap 5/16-18 x 1-3/4
30			Wrench Nut & Stud. Rotor Torque Value 120 - 180 in.lbs
31	210017	4	Screw, Hex Head Cap 3/8-16 x 7/8
32	210084	4	Screw, Hex Head Cap 3/8-16 x 1-1/2
33	21020	2	Screw, Hex Head Cap 1/4-20 x 3/4
34	21898	4	Screw, Round Hd. Mach. No. 6-32 x 1/2
35	210056	1	Screw, Pan Head No. 8-32
36	210016	6	Screw, Thread Forming
37	21658	6	Lockwasher 1/4" Split
38	21657	1	Lockwasher 5/16" Split
39	21130	8	Lockwasher 3/8" Split
40	21203	6	Nut, Hex 1/4-20
41	210245	4	Nut, Hex 3/8-16
42	21654	1	Nut, Wing 5/16-18
43	21766	4	Nut, Keps No. 6-32
44	21675	1	Nut, Keps No. 8-32

Ref #	Part Number	Qty	Description
45	21653	7	Nut, Keps 5/16-18
46	210070	1	Label End Bell
47	210071	1	Label - Electric Start
48	210297	1	Bearing, Roller
49	210298	1	Capacitor
50	210299	1	Bracket, Capacitor Mounting
51	210300	4	Screw, Tapping - Hex Head No. 6 x 3/8
52	210301	1	Guide, Brush
53	210302	2	Brush
54	210303	1	Terminal, Tab
55	210304	1	Screw, Tapping - Hex Head No. 6 x 5/8
56	210305	2	Terminal, Tab
57	210306	1	Lead (3-1/4")
58	210307	1	Lead (3")
59	210462	1	Alternator Wire
60	210544	1	Cord Set
61	210516	1	Silicon Rectifier
62	210514	1	Binding Post (Red)
63	210515	1	Binding Post (Black)
64	21280	1	Fuse
65	21270	1	Fuseholder
66	21874	1	Tab Adapter
			Engine Cylinder Head Bolts Torque Value 150 - 175 in.lbs
	210296		Spark Arrester For Generator Model HP-5000ES

No  
Diagram  
Available  
  
Parts List  
Only

Ref #	Part Number	Qty	Description
	21502		HP 5000 Propane Conversion Kit
	21502		HP 5000 ES Propane Conversion Kit

WIRING SCHEMATIC HP-5000  
HP-5000 ES

